

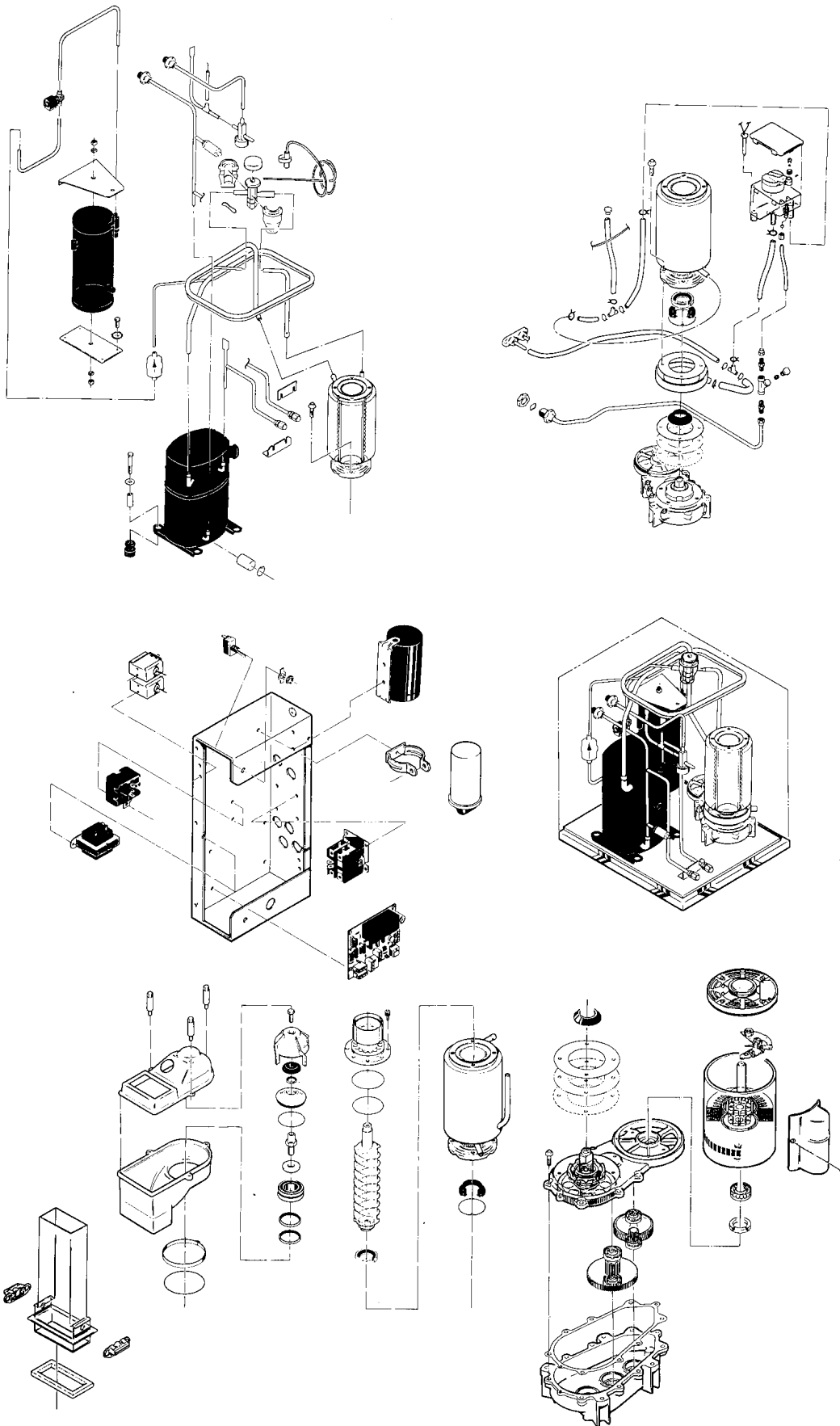
# FM1200R SERVICE PARTS

This parts list contains the service parts and wiring diagrams for this model. Check the model number in question to be sure that it is applicable to this parts list.

## TABLE OF CONTENTS

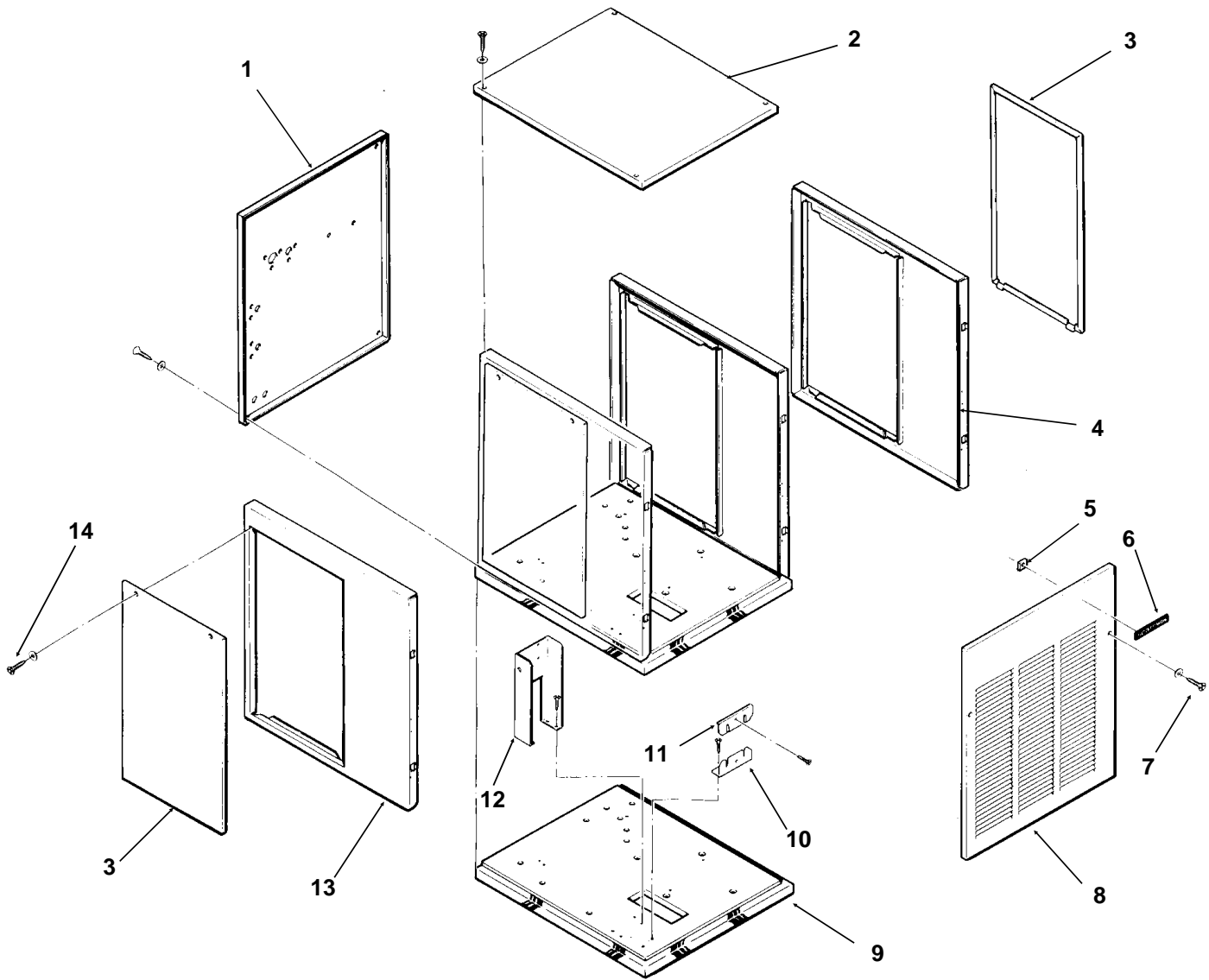
Cabinet .....	2
Refrigeration .....	3
Water .....	4
Gearmotor.....	5
Evaporator .....	6
Control Box.....	7
Remote Condenser .....	8
Wiring Diagrams.....	9

# FM1200R SERVICE PARTS



# FM1200R SERVICE PARTS

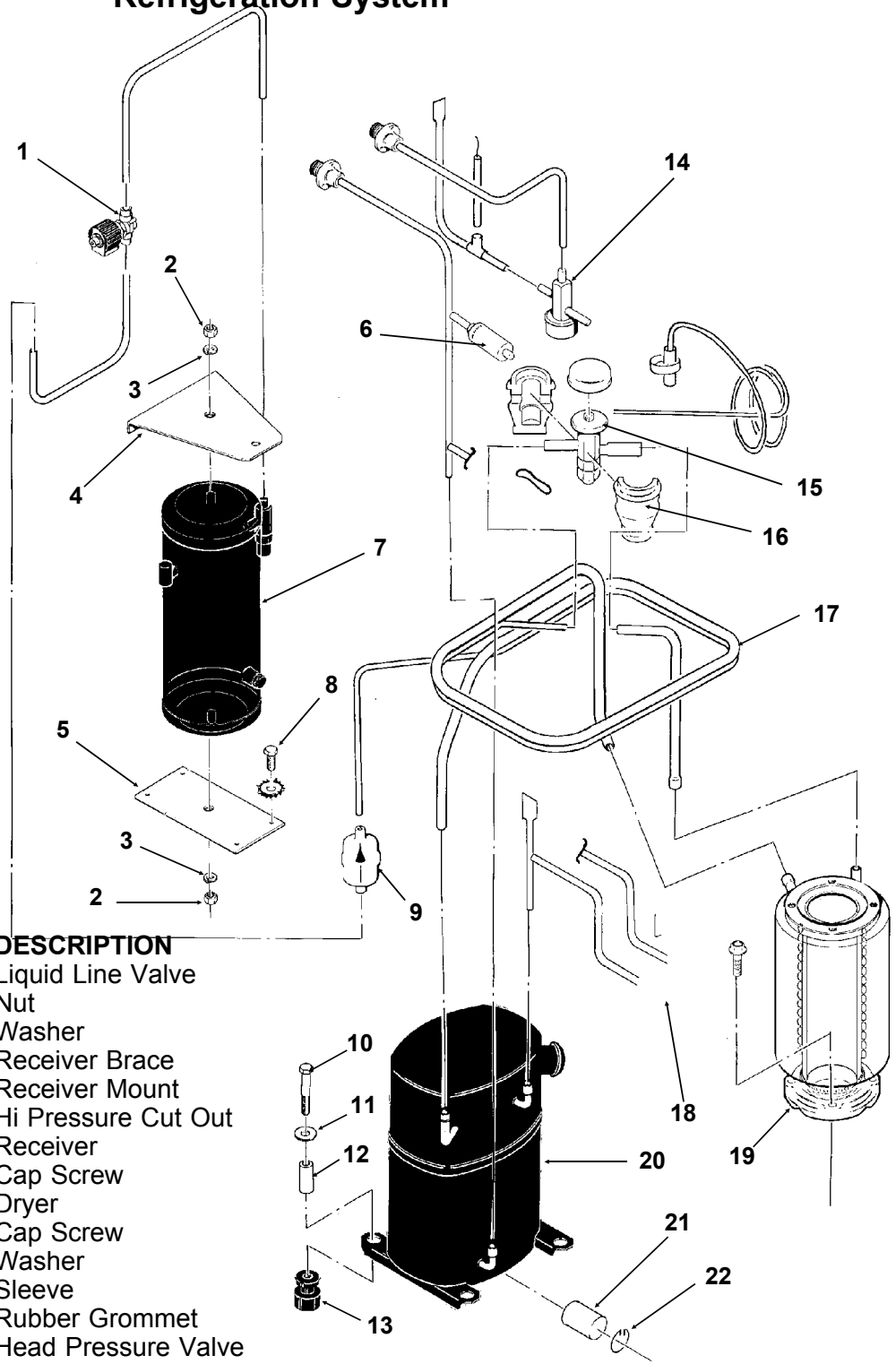
## Cabinet Assembly



ITEM NUMBER	PART NUMBER	DESCRIPTION	ITEM NUMBER	PART NUMBER	DESCRIPTION
1	A33252-001	Back Panel, Painted	8	A33255-001	Front Panel, Painted
2	A33256-001	Top Panel, Painted		A33255-002	Front Panel, S.S.
	A33256-002	Top Panel, S.S.	9	A34042-001	Base Assembly
3	A34038-001	Service Panel, Painted	10	A31462-001	Tube Bracket
	A34038-002	Service Panel, S.S.	11	A31461-001	Tube Bracket
4	A33292-001	Right Side Panel, Painted	12	A34039-001	Control Box Support
	A33292-002	Right Side Panel, S.S.	13	A32435-001	Left Side Panel, Painted
5	03-0271-00	Speed Clip		A32435-002	Left Side Panel, S.S.
6	15-0711-01	Emblem	14	03-1404-12	Screw
7	03-1419-08	Screw			

# FM1200R SERVICE PARTS

## Refrigeration System



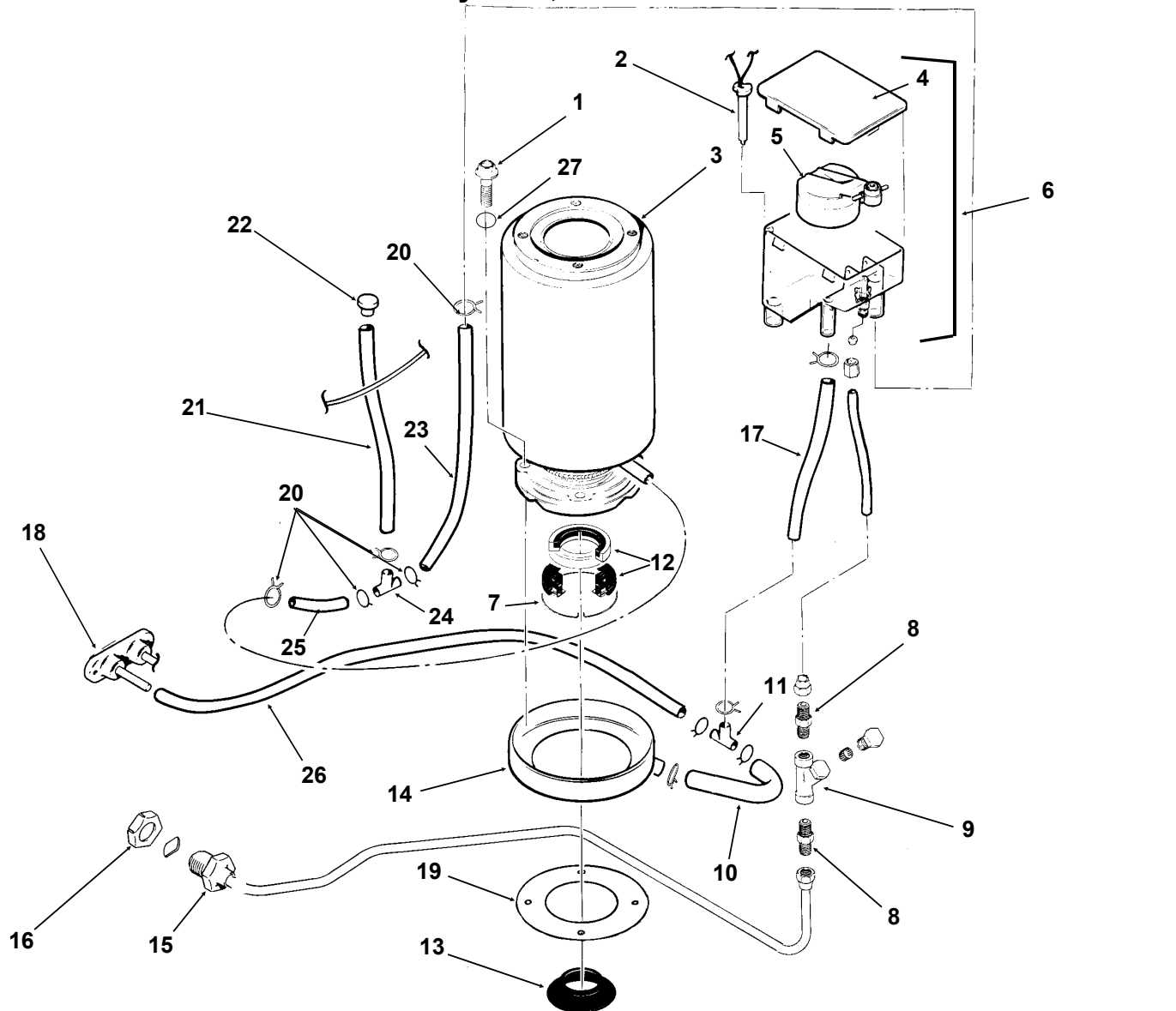
**NOTE: Compressors have internal overloads.**

ITEM NUMBER	PART NUMBER	DESCRIPTION
1	12-2257-21	Liquid Line Valve
2	03-1406-13	Nut
3	03-1410-06	Washer
4	A32968-001	Receiver Brace
5	A31801-002	Receiver Mount
6	11-0446-23	Hi Pressure Cut Out
7	16-0761-01	Receiver
8	03-1645-01	Cap Screw
9	02-3319-02	Dryer
10	03-1405-20	Cap Screw
11	03-1407-07	Washer
12	18-2300-26	Sleeve
13	18-6800-01	Rubber Grommet
14	11-0422-22	Head Pressure Valve
15	16-0780-21	Thermo Expansion Valve
16	A32961-020	Insulation Kit for TXV
17	A34050-001	Suction Line
18	16-0560-00	Core
	16-0563-00	Nut

ITEM NUMBER	PART NUMBER	DESCRIPTION
19	A32890-020	Evaporator
20	18-8879-21	Compressor (1 Phase)
	18-8879-22	Compressor (3 Phase)
21	18-2308-01	Crankcase Heater
22	18-2309-01	Clip

# FM1200R SERVICE PARTS

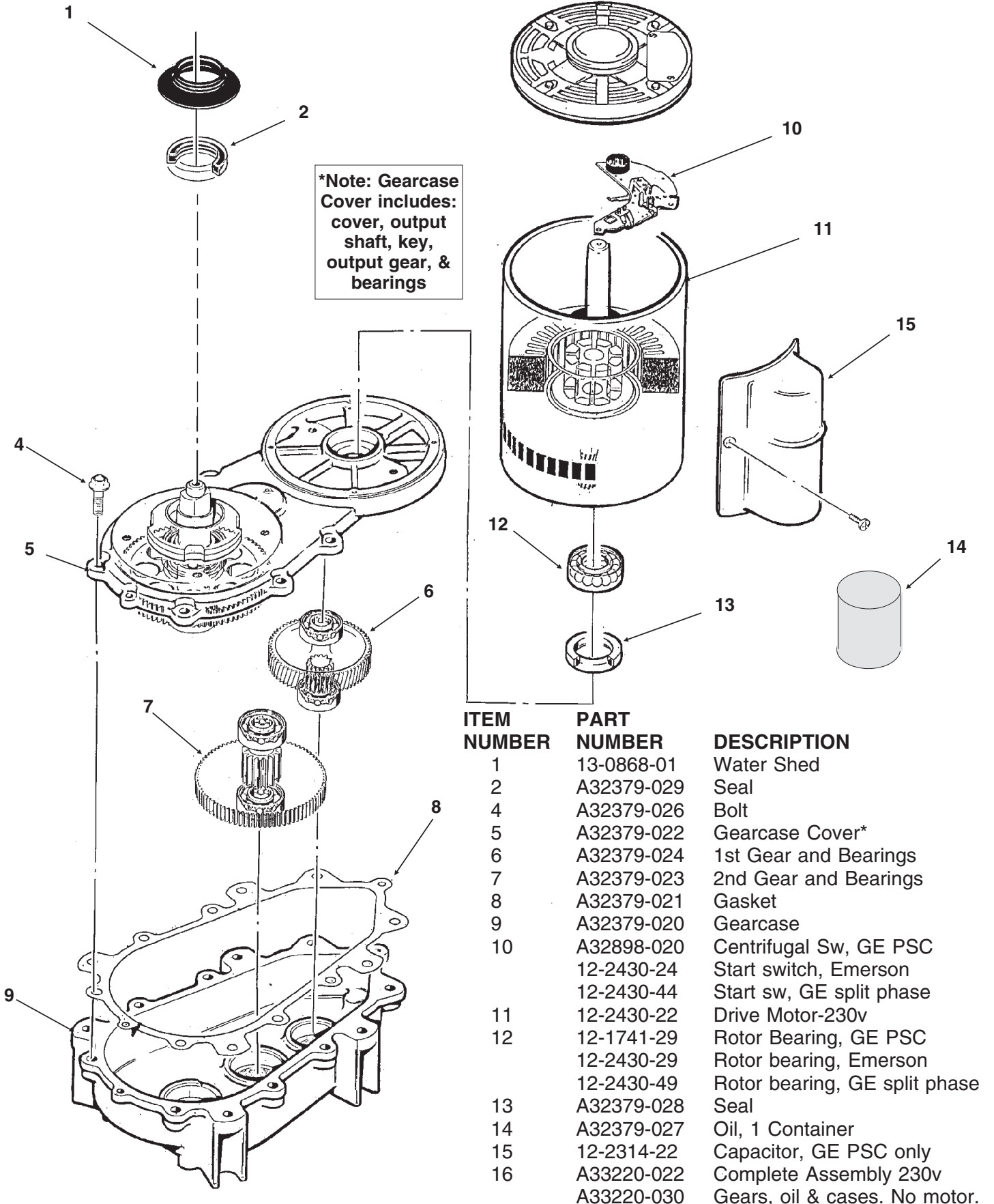
## Water System, Water Seal



ITEM NUMBER	PART NUMBER	DESCRIPTION	ITEM NUMBER	PART NUMBER	DESCRIPTION
1	03-1420-03	Cap Screw	14	A32050-001	Drip Pan
2	A33101-022	Water Level Sensor	15	A27318-001	Water Inlet Fitting
3	A32890-020	Evaporator	16	03-1394-01	Pal Nut
4	02-2936-01	Res. Cover	17	13-0079-03	Res. Overflow, 8" req.
5	A32907-001	Float Assembly with pin, housing seal, rubber seat, insert & float	18	A34045-001	Drain Casting
	02-3190-01	Rubber seat	19	13-0704-00	Gasket
6	A32929-020	Reservoir Assembly	20	02-2814-08	Clamps
7	A32777-001	Retaining Ring for Seal	21	13-0674-06	Evap. Drain, 14" req.
8	16-0791-01	Half Union	22	A33205-001	Plug
9	16-0162-00	Strainer	23	13-0674-06	Evap. Inlet Tube, 5" req.
10	13-0079-03	Tube, 3.2" req.	24	16-0670-01	Tee
11	16-0670-02	Tee	25	A33203-001	Tube, Preformed
12	02-0929-23	Water Seal	26	13-0079-03	Drain Tube, 24" req.
13	13-0868-01	Water Shed	27.	03-1417-13	Lockwasher

# FM1200R SERVICE PARTS

## Gearmotor

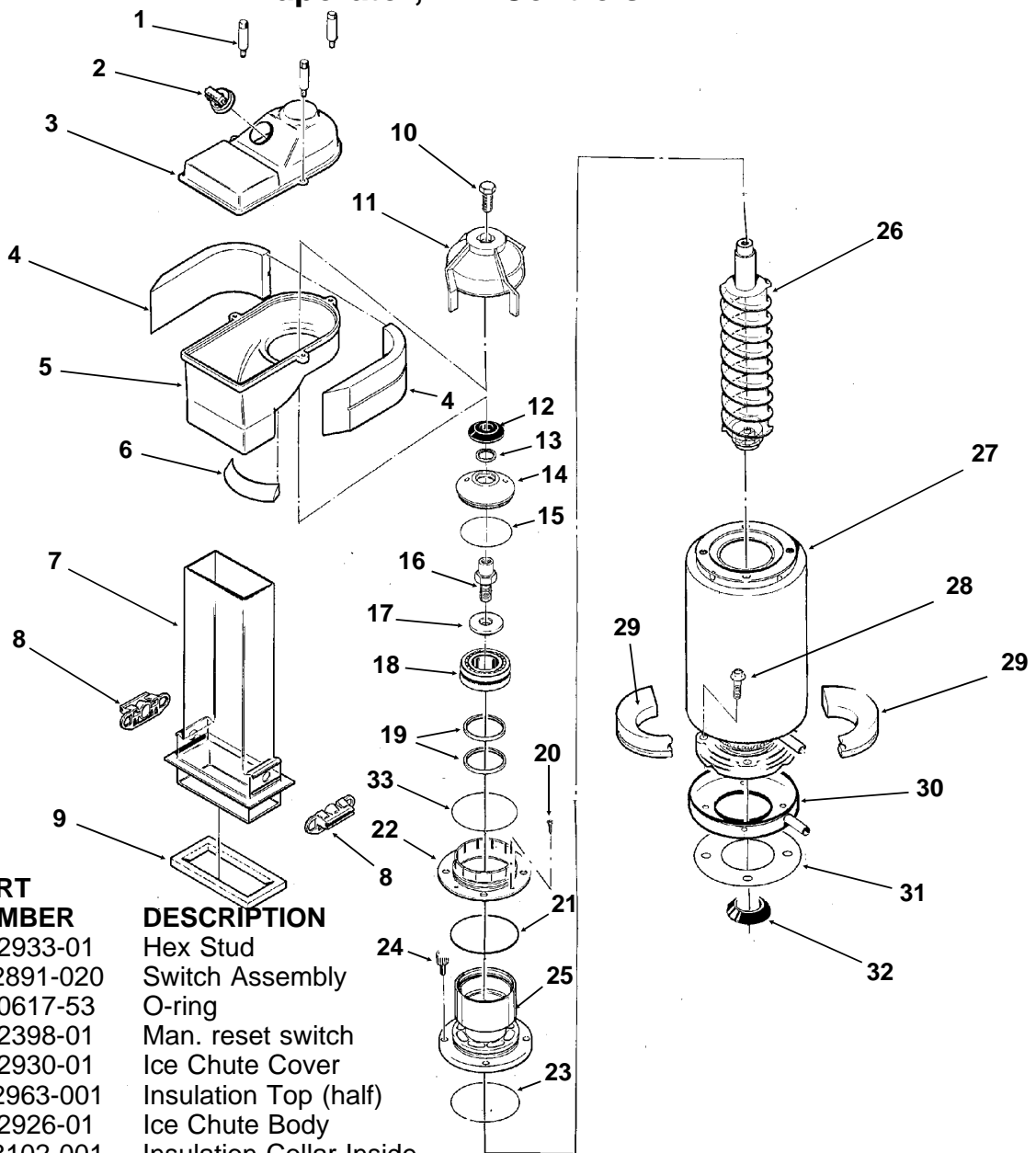


ITEM NUMBER	PART NUMBER	DESCRIPTION
1	13-0868-01	Water Shed
2	A32379-029	Seal
4	A32379-026	Bolt
5	A32379-022	Gearcase Cover*
6	A32379-024	1st Gear and Bearings
7	A32379-023	2nd Gear and Bearings
8	A32379-021	Gasket
9	A32379-020	Gearcase
10	A32898-020	Centrifugal Sw, GE PSC
	12-2430-24	Start switch, Emerson
	12-2430-44	Start sw, GE split phase
11	12-2430-22	Drive Motor-230v
12	12-1741-29	Rotor Bearing, GE PSC
	12-2430-29	Rotor bearing, Emerson
	12-2430-49	Rotor bearing, GE split phase
13	A32379-028	Seal
14	A32379-027	Oil, 1 Container
15	12-2314-22	Capacitor, GE PSC only
16	A33220-022	Complete Assembly 230v
	A33220-030	Gears, oil & cases. No motor.

# FM1200R SERVICE PARTS

## Evaporator, Bin Controls

Note: Bail clamp, pn A34969-001 used beginning in Jan. 91



**ITEM NUMBER**

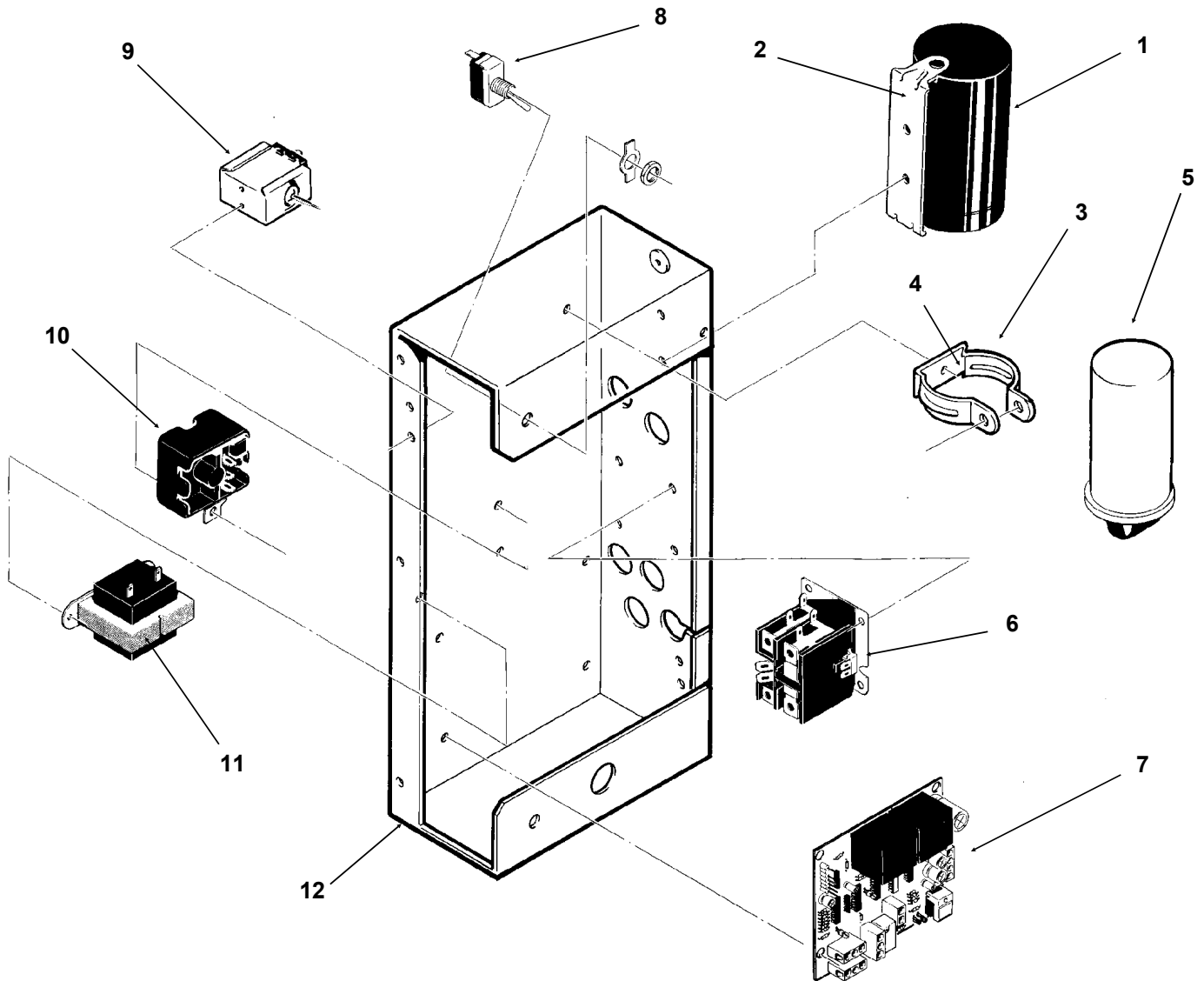
**PART NUMBER**

**DESCRIPTION**

1.	02-2933-01	Hex Stud		
2.	A32891-020	Switch Assembly		
	13-0617-53	O-ring		
	12-2398-01	Man. reset switch		
3.	02-2930-01	Ice Chute Cover		
4.	A32963-001	Insulation Top (half)		
5.	02-2926-01	Ice Chute Body		
6.	A33102-001	Insulation Collar Inside		
	A35419-020	Strap kit	20.	
7.	02-2929-01	Ice Chute Lower	21.	
8.	A37708-021	Ice level sensors (set of 2)	22.	
9.	A32930-001	Chute Gasket	23.	
10.	03-1405-52	Hex Cap Screw	24.	
11.	02-3001-01	Ice Sweep	25.	
12.	13-0871-01	Water Shed		
13.	02-2978-01	Lip Seal	26.	
14.	02-3128-20	Breaker Cover	27.	
15.	13-0617-54	O-Ring	28.	
16.	08-0660-01	Auger Stud & washer	29.	
17.	part of item 16			
18.	A34559-020	Bearing	30.	
19.	02-2977-01	Lip Seal	31.	
			32.	
			33.	
			03-1405-27	Screw
			13-0617-52	O-Ring
			02-2916-01	Slotted Collar
			13-0617-45	O-Ring
			03-1544-08	Soc. Head Screw
			A34505-020	Breaker (Divider) (includes 18 & 19)
			A38071-022	Auger
			A32890-020	Evaporator
			03-1405-41	Cap Screw
			A32962-001	Insulation Bot. (half)
			A32962-002	Insulation (half)
			A32050-001	Drip Pan
			13-0704-00	Drip Pan Gasket
			A31340-001	Water Shed
			13-0617-49	O-ring

# FM1200R SERVICE PARTS

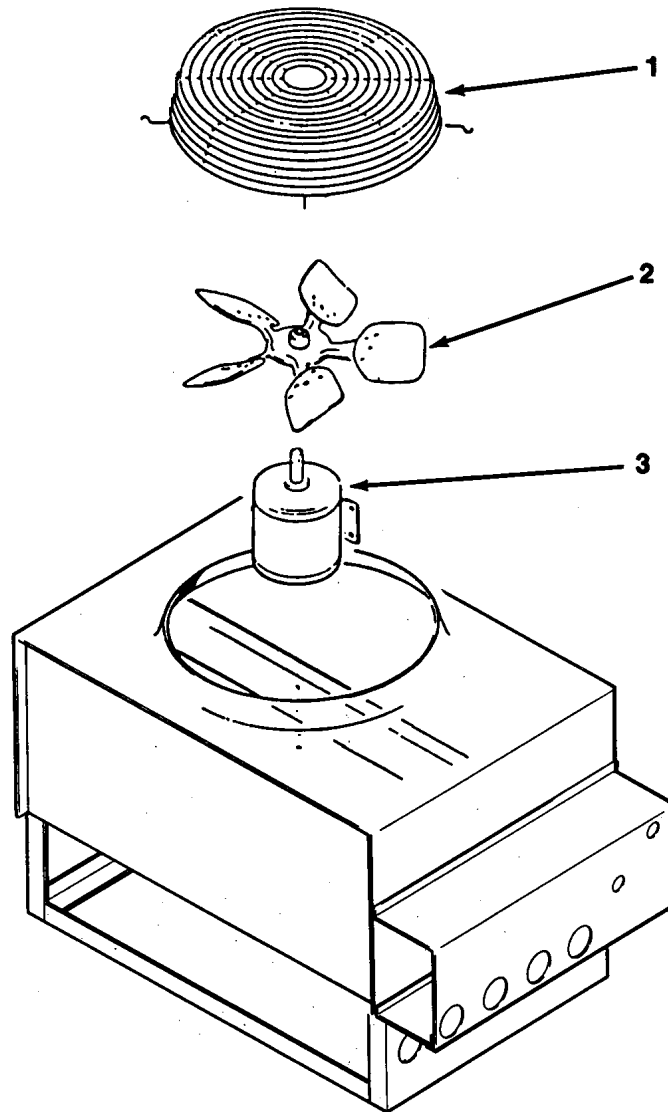
## Control Box



ITEM NUMBER	PART NUMBER	DESCRIPTION	ITEM NUMBER	PART NUMBER	DESCRIPTION
1	18-1901-48	Start Capacitor	7	A32976-020	Circuit Board
	18-4300-50	Start Capacitor Cap.	8.	12-0426-01	Master Switch
2.	18-2200-39	Start Capacitor Bracket	9.	11-0420-23	Pump Down Control
	03-1638-04	Screw	10	18-1903-46	Potential Relay
	03-1417-15	Lockwasher	11.	12-2285-22	Transformer
3.	A32872-001	Run Cap Bracket	12	no number	Control Box Assy
	03-1652-02	Bolt	NOT ILLUSTRATED		
	03-0255-04	Wing Nut	13.	12-2337-02	3 Pin Plug Assy (Safety Circuit to Circuit Board)
4.	03-1638-03	Screw	14.	12-2340-01	4 Pin Plug Assy (Transformer to Circuit Board)
5.	18-1902-45	Run Capacitor	15.	A34055-001	Control box cover
6.	12-2469-03	Single Phase Contactor			
	12-0739-02	Three Phase Contactor			



# FM1200R SERVICE PARTS REMOTE CONDENSER



**RC1451-32B or  
RC1051-32A or RC1052-32A**

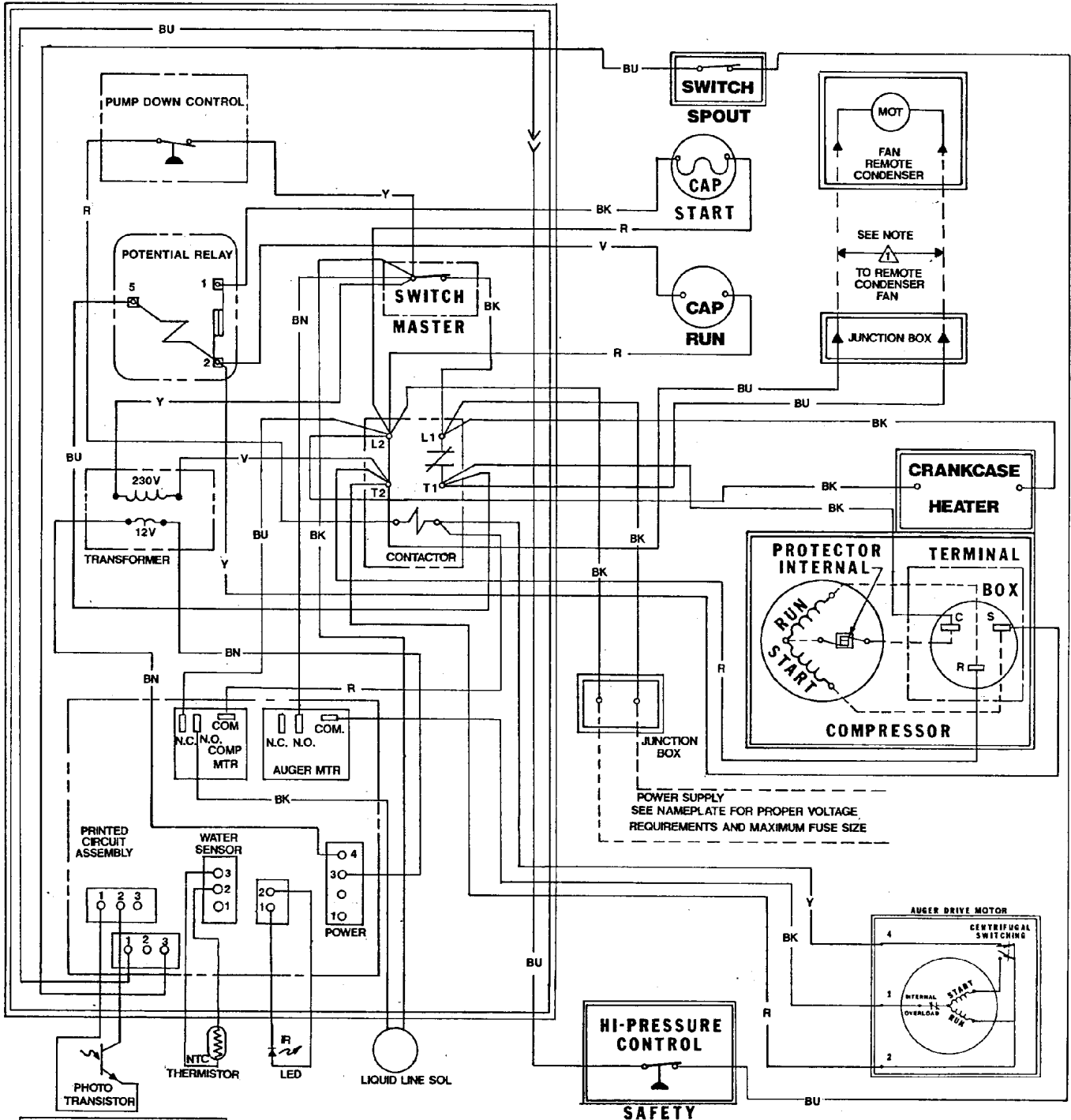
ITEM NUMBER	PART NUMBER	DESCRIPTION
1.	02-2628-01	Fan Guard
2.	18-6304-01	Fan Blade
3.	18-5301-01	Fan Motor

**RC651-32B or RC652-32B**

ITEM NUMBER	PART NUMBER	DESCRIPTION
1.	02-2618-01	Fan Guard
2.	18-3733-01	Fan Blade
3.	18-5301-01	Fan Motor

# FM1200R SERVICE PARTS

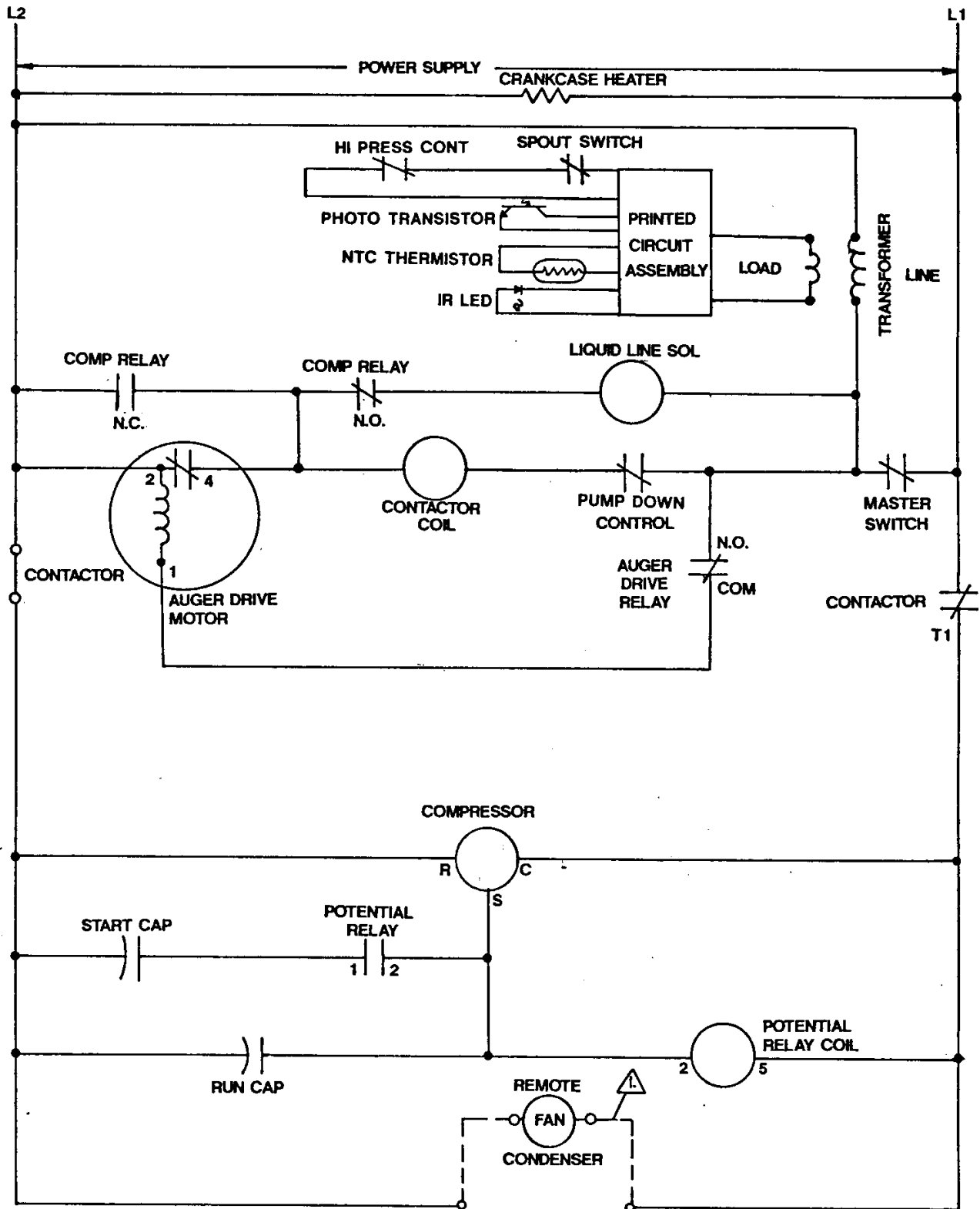
## Wiring Diagram, 208-230/60/1



**A34492-032**

# FM1200R SERVICE PARTS

## Schematic Diagram, 208-230/60/1



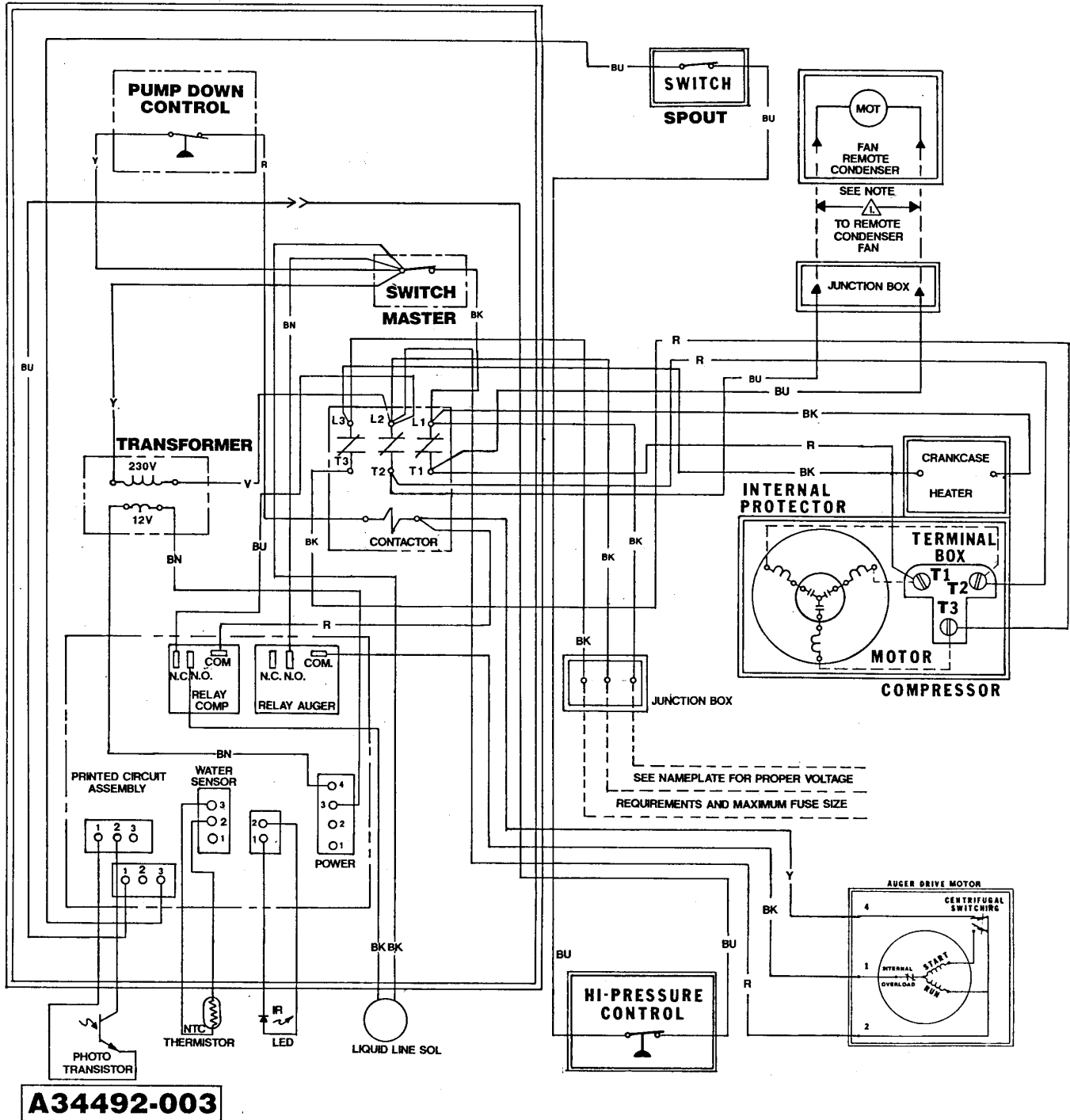
**USE COPPER CONDUCTORS ONLY THIS UNIT MUST BE GROUNDED**

All Controls Shown in Normal Ice Making Mode.

Note: Dashed lines indicate field wiring which must be installed in accordance with the National Electric Code Using a Minimum of 14 ga. awg. wire.

# FM1200R SERVICE PARTS

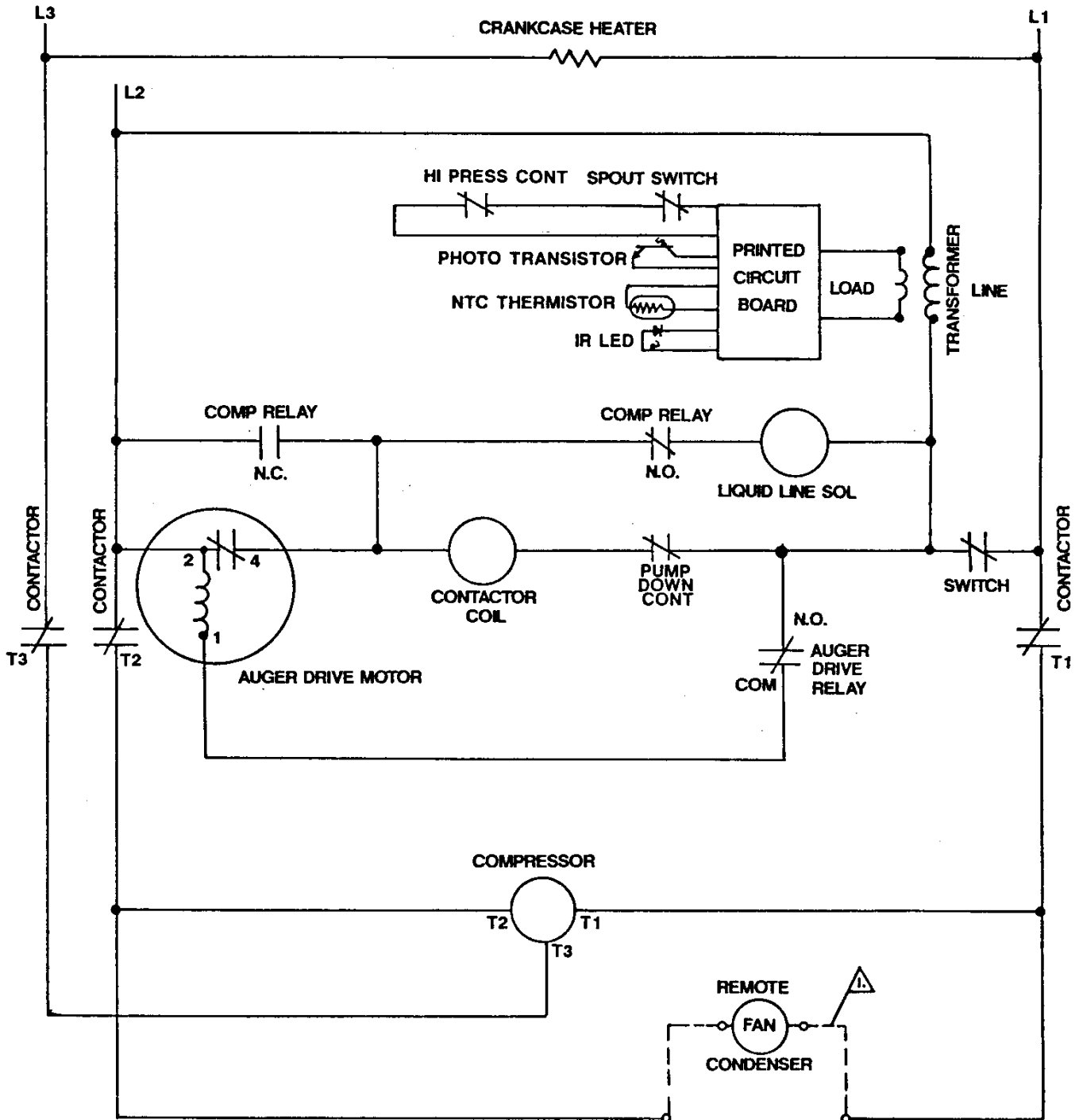
## Wiring Diagram, 208-230/60/3



**A34492-003**

# FM1200R SERVICE PARTS

## Schematic Diagram, 208-230/60/3



**USE COPPER CONDUCTORS ONLY THIS UNIT MUST BE GROUNDED**

All Controls Shown in Normal Ice Making Mode.

Note: Dashed lines indicate field wiring which must be installed in accordance with the National Electric Code Using a Minimum of 14 ga. awg. wire.